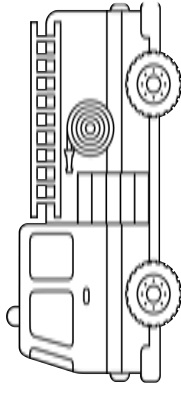


Name: _____

Fire Safety Activity Book



Fire Safety Tips

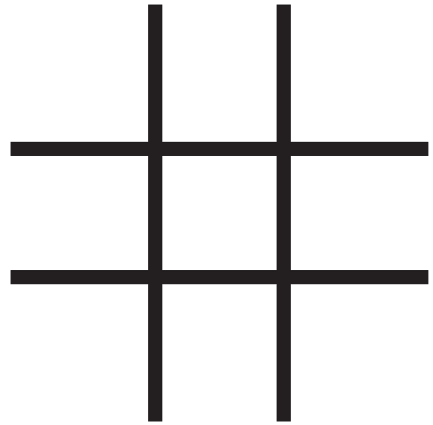
1. Stay Calm.
2. Check the Door Before Opening – If it's hot, don't open it.
3. Stay Low to the Ground.
4. Get Out Using Your Escape Route.
5. Leave Everything.

S	W	O	E	R	D	E
T	F	I	R	M	E	S
A	S	T	I	C	A	C
Y	T	E	F	A	S	A
L	A	Y	W	O	L	P
O	E	L	C	M	A	E
W	H	M	E	F	R	I

Fire Safety Word Search

FIND THE WORDS BELOW IN THE WORD SEARCH:

- FIRE CALM
 ESCAPE HEAT
 SAFETY STAY LOW



STOP, DROP & ROLL Tic-Tac-Toe

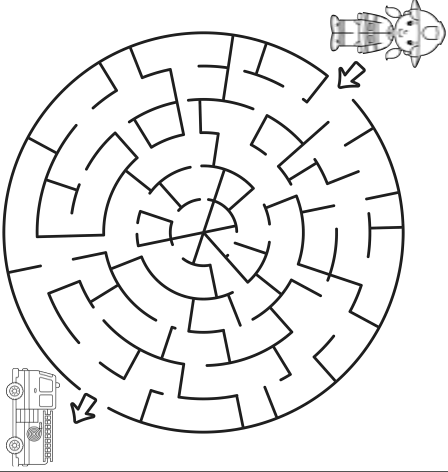
Fire Safety Poem

Write an acrostic poem about fire safety.

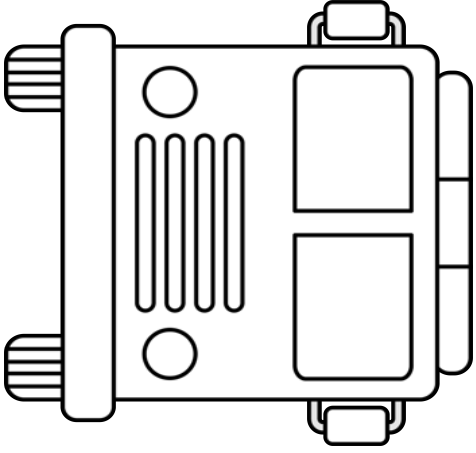
F _____
 I _____
 R _____
 E _____
 S _____
 A _____
 F _____
 E _____
 T _____
 Y _____

Fire Fighter Maze

Help the fire fighter get to the fire truck!



Fire Truck Coloring Page



Fire Hydrant Drawing

Draw the fire hydrant in the grid below.

